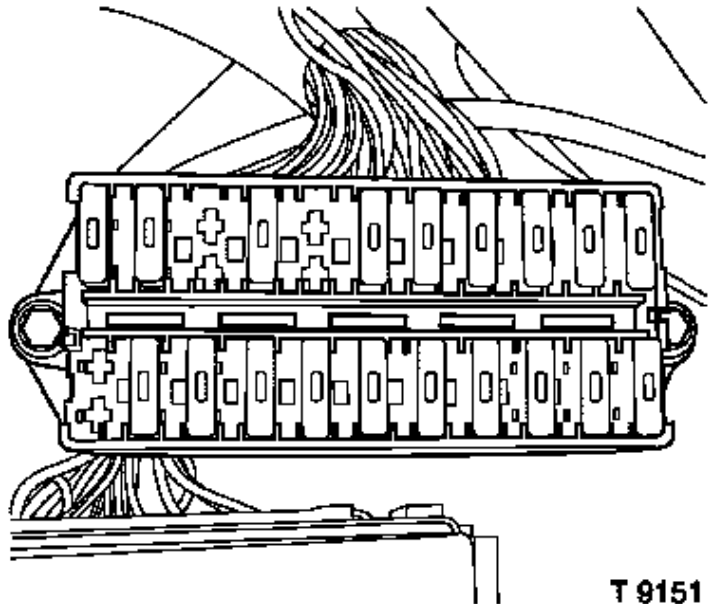


Stabiliser Bar, Remove and Install

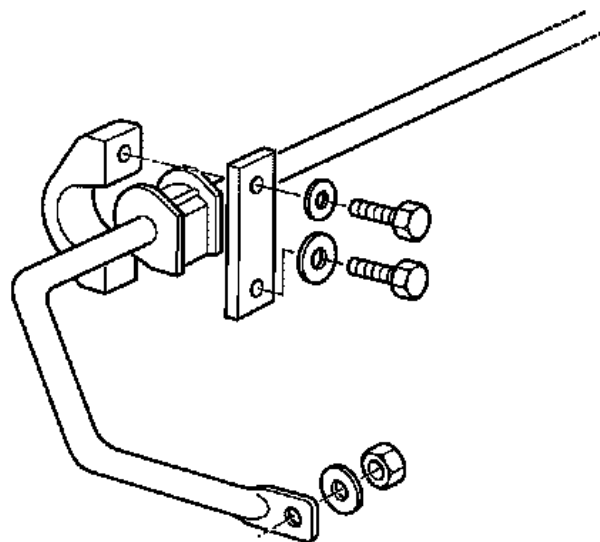


Remove

1. Remove emergency tyre inflation aerosol from right front wheelarch liner
2. Release fuse box from front wheelarch liner
 - Remove 2x bolt

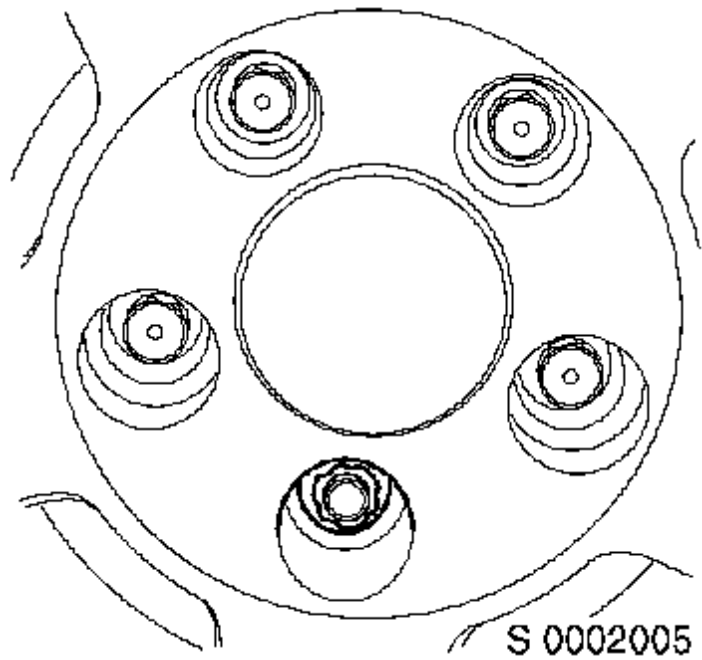


3. Release relay box from front wheelarch liner
 - Remove 2x screw
4. Remove front undertray from chassis frame
 - Remove 12x screw
5. Remove 2x clamp for 2x bush from chassis
 - Remove 4x bolt
 - Remove 2x clamp

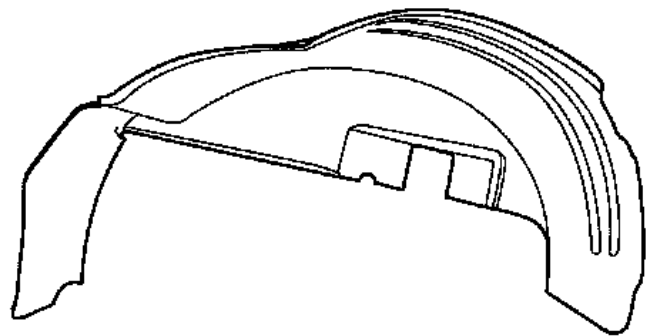


6. Remove 2x front road wheel from vehicle

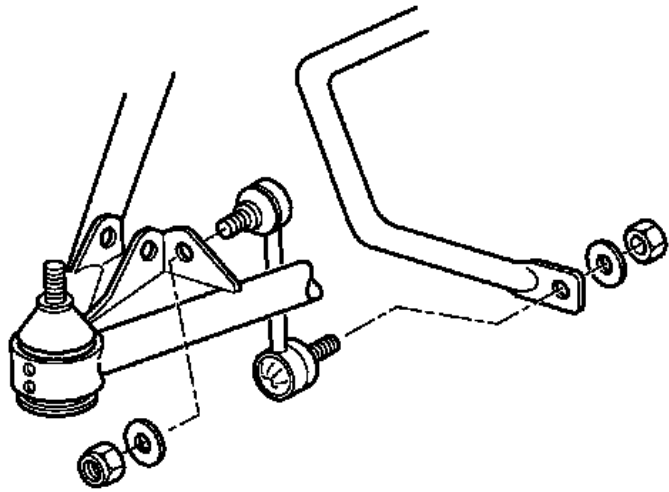
- Remove 8x bolt, remove 2x security bolt
 - Use special socket located under front bonnet



7. Remove front wheelarch liner from each wheelarch
 - Remove 10x screw, 2x clip



8. Release stabiliser bar from each link rod
 - Remove 2x nut



T 9338

9. Remove both bottom support brackets from crash box closure panel
 - Remove 6x rivet
 - Use a drill
10. Remove stabiliser bar from vehicle
11. Remove 2x rubber bush from stabiliser bar

**Install**

12. Install 2x new rubber bush to stabiliser bar
 - Apply rubber grease to 2x rubber bush
13. Install stabiliser bar to vehicle
14. Install both bottom support brackets to crash box closure panels
 - Install 6x new rivet
15. Install stabiliser bar to each link rod
 - Install new 2x nut **45 Nm**
16. Install front wheelarch liners to each wheelarch
 - Install 10x screw, 2x clip
17. Install 2x front road wheel
 - Install 8x bolt, 2x security bolt **90 Nm**
18. Install 2x clamp for 2x bush to chassis
 - Install 2x clamp
 - Install 4x bolt **20 Nm**
19. Install front undertray to chassis frame
 - Install 12x screw
20. Install relay box to wheelarch liner
 - Install 2x screw
21. Install fuse box to wheelarch liner
 - Install 2x bolt

22. Install emergency tyre inflation aerosol to front wheelarch liner